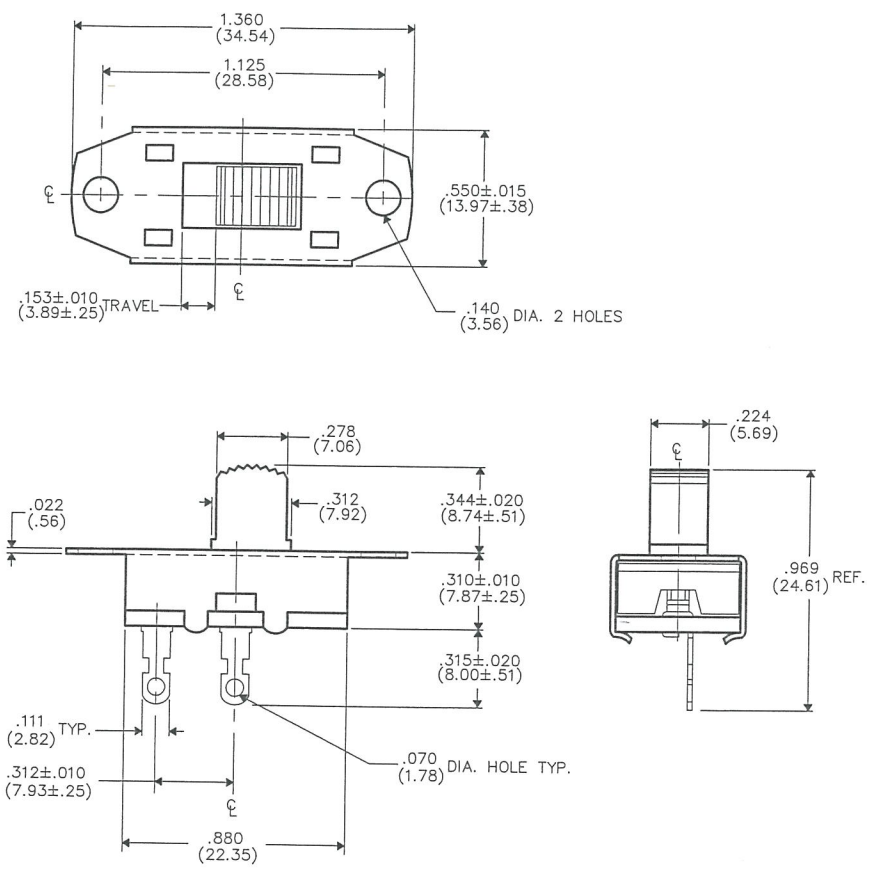


F
 D
 C
 B
 A

DIMENSIONS IN INCHES (MILLIMETERS)
 DO NOT SCALE DRAWING

Dwg. No.
GF-323-0083



1 2 3 4 5 6 7 8 9 10

B-FORMAT 2002

REVISIONS
 RELEASED: DGW 7-09-13
JUL 19 2013

CW INDUSTRIES Southampton, Pa. 18966	
TOLERANCES UNLESS OTHERWISE SPECIFIED	
2 Place Decimal ±.010 3 Place Decimal ±.005 Angles ±1°	METRIC 1 Place Dec. ±.25mm 2 Place Dec. ±.13mm
Made for: CW IND.	Division: SWITCH
Drawn by: DGW 7-09-13	Dwg. No. GF-323-0083
Checked by: <i>G. Guld 7-10-13</i>	Approval: <i>G. Guld 7-10-13</i>

Title:
ASSEMBLY SWITCH
S.P. - S.T.

MASTER